

# PD-II

## ECR Interface Scale

**First, choose the right ECR for you,  
because we have PD-II available for you**

*PD-II is equipped with RS-232C port and 4Bit Parallel for most popular ECRs such as SAMSUNG, SANYO, CASIO, SHARP and others Installation is very easy.*

*PD-II has standard large tray making weighing of large object convenient and accurate. The stainless tray of PD-II makes it sanitary weighing. Also PD-II is constructed low profile to make it easier to place an object on the tray.*



Pole Type



Access POS Pty Ltd  
95 Pittwater Road,  
HUNTERS HILL. NSW 2110  
PH: (02) 9817-7791

## ECR Interface Scale

### Display

One display comes standard and it is possible to install another display on the side.

Also the remote pole type display is available for PD-II as an option.

The display on the side can tilt it self making it easier to read.

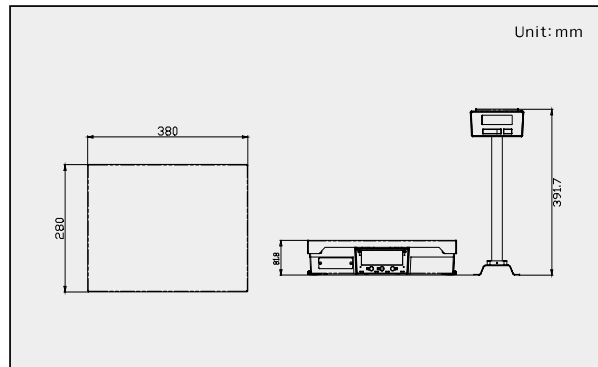
### Communication Ports

- RS 232C
- 4 Bit Parallel (ECR interface)

### Options

- Dual Display (Side)
- Remote Pole Type Display

### Dimensions



### Specifications

MODEL	PD-II-6 kg	PD-II-15 kg	PD-II-30 kg	PD-II-60 kg
	2 g	5 g	10 g	20 g
	3kg/1g 6kg/2g	6 kg/ 2g 15kg/ 5g	15kg/5g 30kg/ 10g	30kg/10g 60kg/ 20g
Interval Resolution	1/90,000			
External Resolution	1/ 3,000 Single or Dual			
Display	VFD 6 Digits			
Display Lamps	ST(STABLE), ZERO, NET			
Power Supply	AC 110V / 60Hz, AC 220V / 50Hz			
Platter Size (mm)	380 (W) x 280 (D)			
Product Size (mm)	380 (W) x 280 (D) x 79 (H)			
Product Weight (kg)	6.7kg			
Temperature (°C)	-10 °C ~+ 40 °C			
Interface	RS-232C, 4 Bit Parallel Communication (ECR interface)			

For further information on the ABM PD-2 POS Interface Scale:

Access POS Pty Ltd  
95 Pittwater Road,  
HUNTERS HILL. NSW 2110

PH: (02) 9817-7791  
FAX: (02) 9817-7792  
WEB: [www.accesspos.com.au](http://www.accesspos.com.au)